

SmartMoma®

ROLLOMATIC MOBILE HANDLING SOLUTION

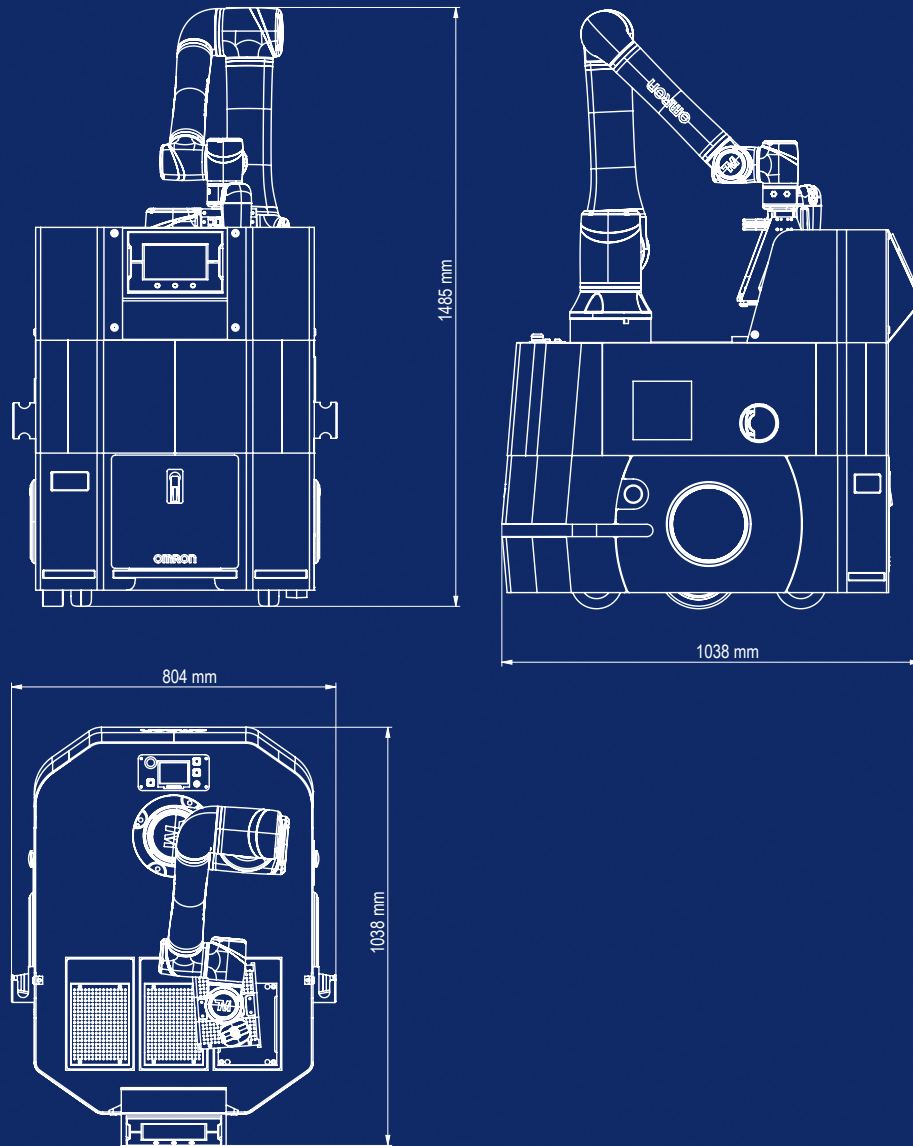
The SmartMoma® system is comprised of a mobile robot base as well as an extremely dexterous 6-axis robotic arm that integrates specific gripping systems for complex handling. This mobile robot is capable of self-maneuvering autonomously in a production workshop.

Designed to bring higher autonomy to production machines, it enables loading and unloading of parts without human intervention. Additionally, the automation of parts handling between different production operations such as measuring, marking, or packaging can be accomplished.

The SmartMoma® mobile handling robot increases the autonomy of production machines while allowing operators to concentrate on tasks requiring more human skills with greater added value.



SMARTMOMA TECHNICAL DATA



ROBOTIC ARM

Omron TM14M 6-axis - 5MP Integrated Camera

SPAN

1100 mm (43.3")

REPEATABILITY

+/- 0.1mm (+/- 0.004")

LOAD CAPACITY

14 kg (30.8 lbs) without gripper

GRIPPER

Adaptable/Custom

MOBILE ROBOT

Omron LD-250

REPOSITIONING ACCURACY

+/- 8mm (+/- 0.32") and +/- 0.5° using CAPS Alignment System

CROSSING CAPACITY

1.7° ramp and 10 mm (0.39") step

MAXIMUM SPEED

1.2 m/s (4 ft/s.)

NAVIGATION MODE

By laser scanner

SMARTMOMA

AUTONOMY

8h at Full Charge

CHARGING TIME

3min / %

DIMENSIONS

1'038 x 804 x 1'485 mm (41" x 32" x 59") (Lx W x H)

WEIGHT

284 kg (625 lbs)

* Specifications are subject to change without notice